

◀◀◀ Laboratory Syringe Pump

Programmable Syringe Pump



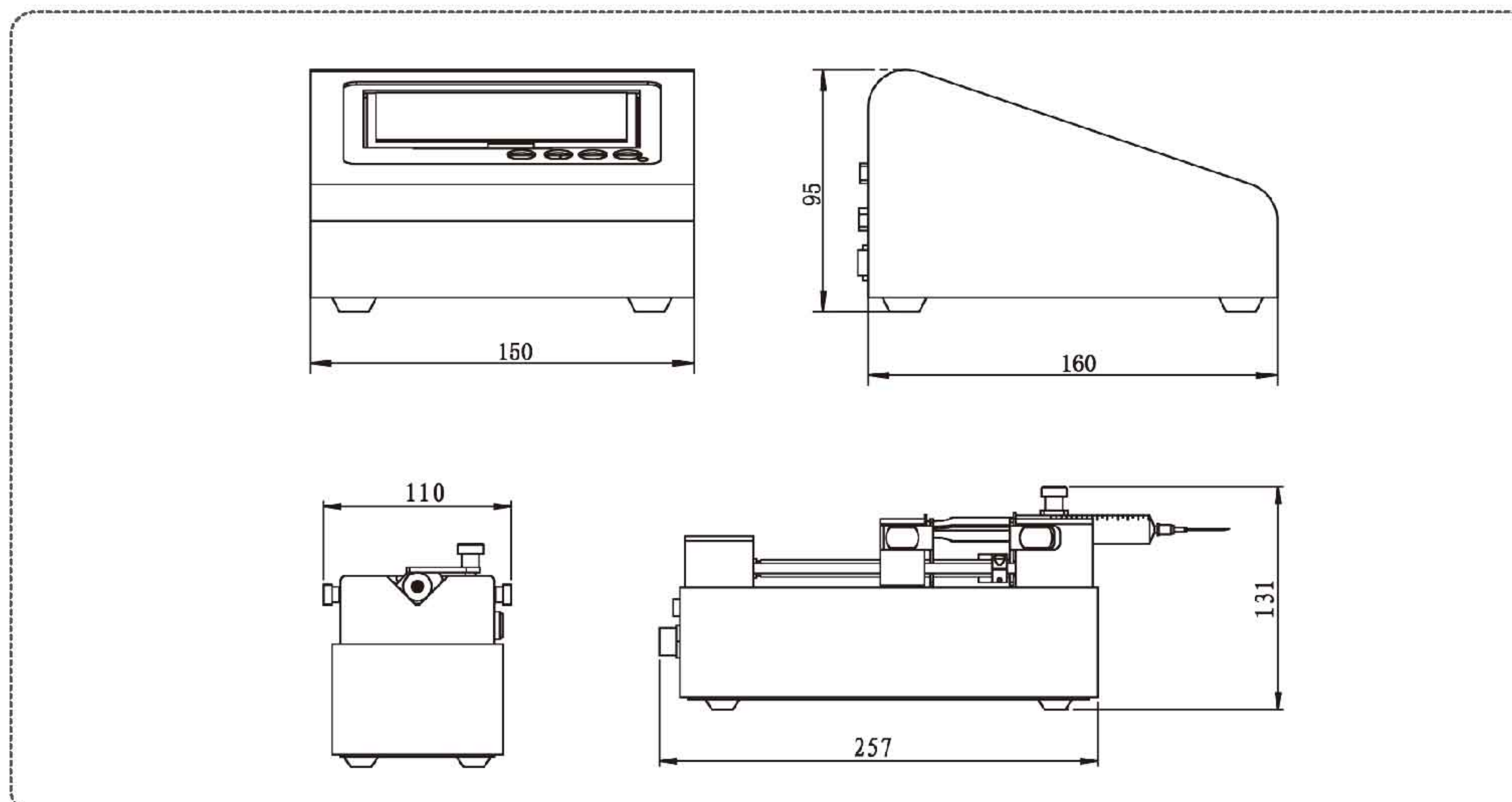
Model No.

SPM/ZU-I

Introduction

4.3 inch touch screen control, compact design. Display 8 pump units working parameters and working state in same screen. Friendly interface, easy operation. Split design, mainly for laboratory.

Dimension Drawing (Unit: mm)

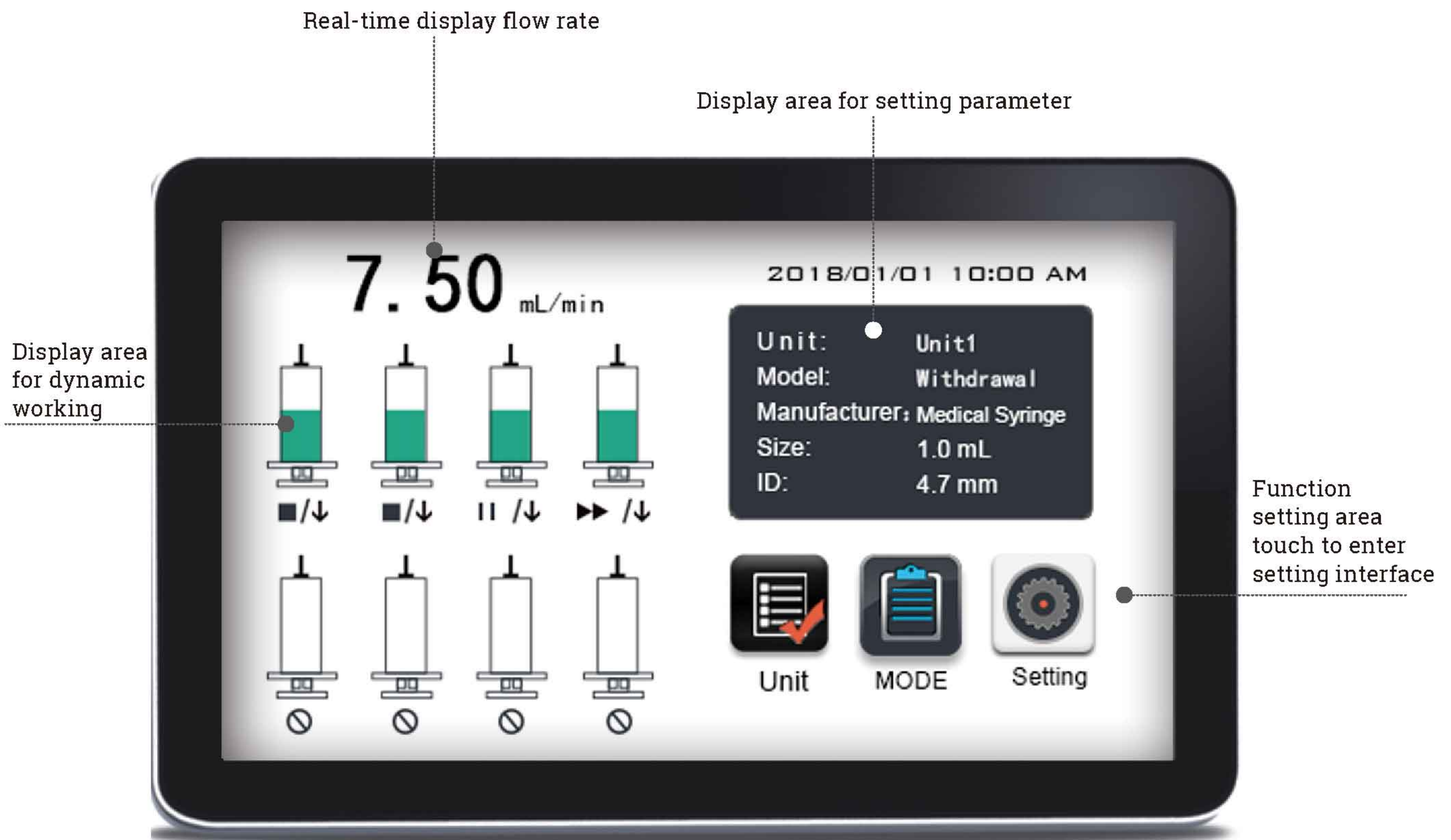


Features

- | **Online flow rate modification function:**
- | **Can adjust the flow rate during the pump is running.**
- | Each unit working independently, can set one or some units freely.
- | Each unit can infuse or withdraw different volume in same time or different time.
- | Intelligent calibration, ensure infuse volume accuracy. Online micro adjusting function, convenient to adjust the volume of one units, decrease volume error.
- | Real time monitor, animate display monitor result. Controller can receive traffic alarm of each unit.
- | Back distance setting, can exclude bubbles inside syringe, improve volume accuracy.
- | Fast forward and backward function used for loading syringe, washing and unlock traffic protection.

◀◀◀ Laboratory Syringe Pump

Interface Display



Technical Specifications

Working mode(Five)	Infusion, withdrawal, infusion/ withdrawal, withdrawal/infusion	Display	Industrial grade 4.3"LCD color display
		Control method	Touch screen and Mechanical keypad
Pump unit	1-8 optional	Power-off memory	Display the previous data parameter after power on again
Syringe size	ZU-I: 0.5μL-50mL	External control signal	Start/stop signal, active switch signal: (5-24V)
	ZU-I-G1: 250μL-25mL		
	ZU-I-G2: 50mL-100mL		
Syringe selection	Syringe size and customized diameter	Communication interface	RS232/RS485 (Modbus protocol, RTU mode)
Linear speed range	1μm/min-132mm/min(Flow rate=Linear speed* syringe inner cut area)	Controller power supply	DC5V/10W
Min. linear rate	1μm/min	Pump unit power supply	DC24V/30W
Linear force	≥16Kgf	Condition temperature	0~40°C
Max.stroke	90mm	Relative humidity	<80%
Stoke resolution	0.078μm/μStep	IP rate	IP31
Accuracy	Stroke≥30% maximum stroke, Error≤ ±0.5%	Controller dimension	160×150×95 (mm)
		Controller weight	1.0kg
Back distance	0.01-5mm	Pump unit dimension	257×110×131 (mm)
Working mode	Independent working mode	Pump unit weight	3.0kg
Stored modes	Can save 10 group working modes		