



Flow Rates Peristaltic Pump

Model No. : LabV1-III, LabV3-III, LabV6-III
Flow Rate : 0.0053-3100mL/min



Single Channel



Dual Channel

Product Features

Industrial grade 4.3" true color LCD screen, touch screen control.

Mechanical keypad control pump start, stop, full speed and direction.

Dynamic display transferring status. Flow rate data, setting parameters and system configuration display in the same screen.

3 Kinds of working mode: fixed volume metering, fixed time and volume, timer start and stop, meet different transferring and dispensing request.

Intelligent calibration function and online micro adjusting function.

Screen Display

Real-time flow rate changeable by touching

Display area for setting parameter

Display area for dynamic working

Display area for running parameter

Function setting are changeable by touching

Fixed Volume Measurement Setting Interface

Fixed Time and Volume Setting Interface

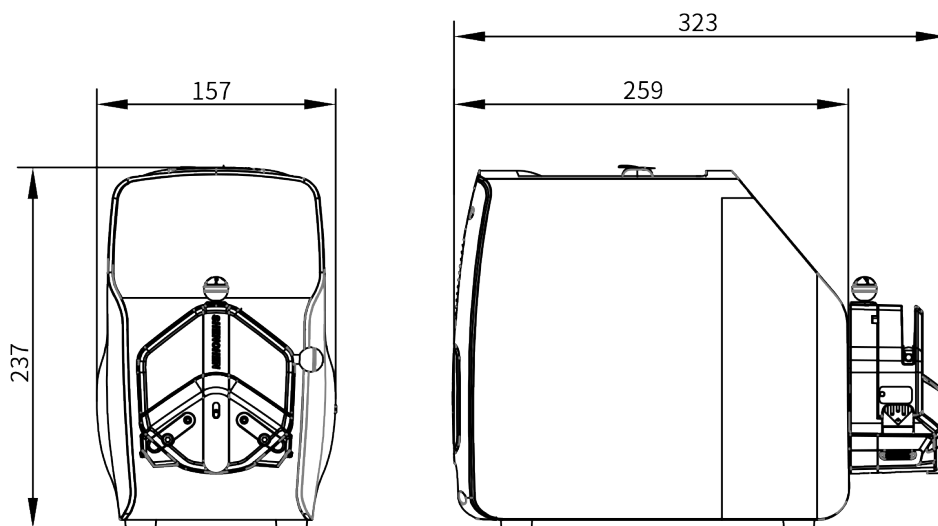
Time Start and Stop Setting Interface



Technical Specifications

Speed range	0.1-600 rpm	Communication interface	RS232, RS485 support MODBUS protocol (RTU mode)
Speed resolution	0.01 rpm		
Flow rate resolution	0.01 μ l	Output interface	Output motor working status (Open-Collector output)
Flow rate accuracy	$<\pm 0.5\%$		
Back suction angle	0-360°	Power supply	AC 220V $\pm 10\%$ 50Hz/60Hz (standard)
Outlet pressure	0.1-0.27Mpa (1.6-2.4mm wall thickness tubing)		AC 110V $\pm 10\%$ 50Hz/60Hz (optional)
Motor type	Servo motor	Drive dimension (L \times W \times H)	261.4 \times 157.3 \times 236.9 mm
Display	Industrial grade 4.3" LCD color display		
Control method	Touch screen and Mechanical keypad	Drive weight	4.40 kg
Keypad lifetime	300,000 times		
External speed control signal	0-5V, 0-10V, 4-20mA for option	Power consumption	<50 W
Start/stop, direction signal	Passive switch signal, such as foot pedal switch ;Active switch signal: 5V, 12V and 24V for option	Condition temperature	0-40°C
		Relative humidity	$<80\%$
		IP rate	IP31

Dimension Drawing (Unit:mm)





Pump Head



EasyPump Series (Pressure Adjustable)



EasyPump Series (Fixed Pressure)

Pump Head & Flow Rate

Pump Head	Single/Dual Channel	Tubing Wall Thickness(mm)	Pressure Adjustable
EasyPump I	Single Channel	1.6	No
EasyPump II	Single Channel	2.4	No
EasyPump V	Dual Channel	1.6	No

Pump Head	Single/Dual Channel	Tubing Wall Thickness(mm)	Pressure Adjustable
EasyPump III	Single Channel	1.6	Adjustable
EasyPump IV	Single Channel	2.4	Adjustable
EasyPump VI	Dual Channel	1.6	Adjustable



Pump Head	Tubing	ID×Wall thickness(mm)	mL / r	Flow Rate(mL/min) (LabV1-III, 0.1-150rpm)	Flow Rate(mL/min) (LabV3-III, 0.1-350rpm)	Flow Rate(mL/min) (LabV6-III, 0.1-600rpm)
Single Channel EasyPump I/III	13#	0.8×1.6	0.053	0.0053~8	0.0053~19	0.0053~32
	14#	1.6×1.6	0.27	0.027~41	0.027~95	0.027~162
	19#	2.4×1.6	0.55	0.055~83	0.055~193	0.055~330
	16#	3.1×1.6	0.933	0.093~140	0.093~327	0.093~560
	25#	4.8×1.6	1.967	0.197~295	0.197~688	0.197~1180
	17#	6.4×1.6	3.333	0.333~500	0.333~1167	0.333~2000
	18#	7.9×1.6	4.3	0.430~645	0.430~1505	0.430~2580
Single Channel EasyPump II/IV	15#	4.8×2.4	1.8	0.180~270	0.180~630	0.180~1080
	24#	6.4×2.4	2.733	0.273~410	0.273~957	0.273~1640
	35#	7.9×2.4	3.833	0.383~575	0.383~1342	0.383~2300
	36#	9.6×2.4	5.167	0.517~775	0.517~1808	0.517~3100
Dual Channel EasyPump V/VI	13#	0.8×1.6	0.0053	0.0053~8	0.0053~19	0.0053~32
	14#	1.6×1.6	0.27	0.027~41	0.027~95	0.027~162
	19#	2.4×1.6	0.55	0.055~83	0.055~193	0.055~330
	16#	3.1×1.6	0.933	0.093~140	0.093~327	0.093~560
	25#	4.8×1.6	1.967	0.197~295	0.197~688	0.197~1180