



REDEFINING PIPETTING

Accumax Pipette Controller

Accumax Pipette Controller

Pipette controllers are meant to make your work with Pipettes easier, but more often than not, they end-up creating more problems than solutions, resulting in waste of both money as well as time. Most devices found in the market suffer from the same problem that they advertise to solve - convenience.

Understanding the shortcomings of existing products in the market allows our team to design and develop a product which offers exceptional performance through unique features like the double safety valves which provide added protection against fluid penetration, dual speed modes etc.



Product Features



Powerful Pump Can Fill A 25 ML Pipette Under 4 Seconds.



Exceptionally Designed Soft Grip Push Buttons For An Amazing User-experience.



Double Safety Valve And Hydrophobic Filters Offer Double Protection Against Fluid Penetration



Three Speed Modes - High & Low Along With Gravity Drain For Unmatched Convenience



Option Of Fine-tuning The Pump Speed By Varying Finger Pressure On Operating Knobs For Better Control Of Speed

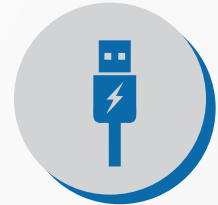
Operates On Environmentally Friendly & Sustainable NiMH Batteries Which Are Cadmium Free



Easy Replacement Of The Batteries By The User.



Intelligent Charger Prevents Overcharging / Heating Of Batteries



Low Battery Indicator Which Provides Adequate Warning To The User To Charge The Device.



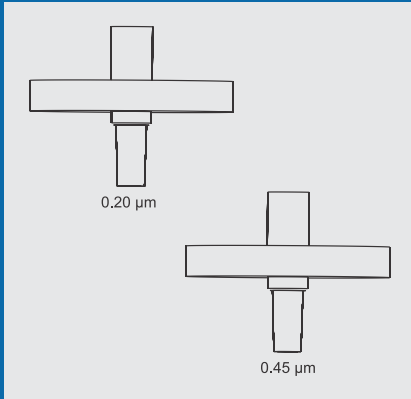
Can Be Charged While Resting On A Specially Designed Desktop Stand



Ordering Information

Accumax Controller		
Description	Cat #	Color
Pipet Controller - Red	PH01-R	
Pipet Controller - Blue	PH01-B	
Pipet Controller - Orange	PH01-O	
Pipet Controller - Green	PH01-G	

Ordering Information



Hydrophobic filter



Battery Charger



Silicon Pipette holder



table top stand



wall mounting stand



Accumax Lab Devices Pvt. Ltd.
www.accumaximum.com



ISO 9001:2015
ISO 13485:2016

* OEM request can be entertained. Specifications can be changed without notice for quality improvement.