

Quick-load Industrial Pump Head

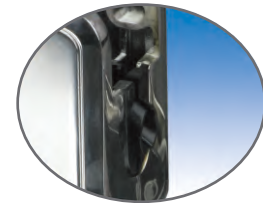
KZ35



Max. Flow Rate



- Similar flow rate to YZ35-13
- 304 stainless steel
- Mainly for industrial applications
- Two tubing retention modes
 - Continuous tubing
 - Tubing with fittings

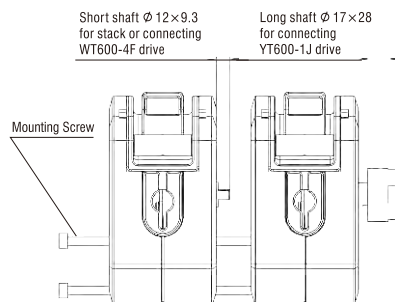
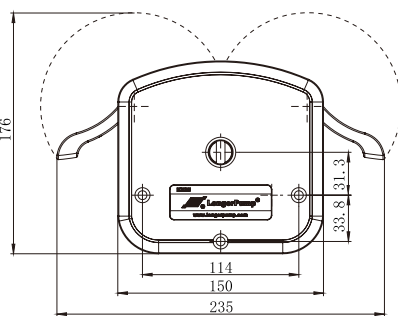


For continuous tubing



For tubing with fittings

PUMP HEADS



Tubing Clamper Assembly:
Tubing length between two clampers is 18cm

Tubing Fitting Assembly:
Tubing length between two fittings is 16.5cm

Tubing Fitting with clamp:
Tubing length between two fittings is 16.5cm

Model	Shaft	Product Code	Roller Number	Roller Material	Housing Material	Speed (rpm)	Tubing	Max. Flow Rate (mL/min)	Weight (kg)
KZ35-13-A	Long	05.01.26A	3	Stainless steel	Stainless steel	≤600	73# 82#	11000	3.7
KZ35-13-B	Short	05.01.26B							