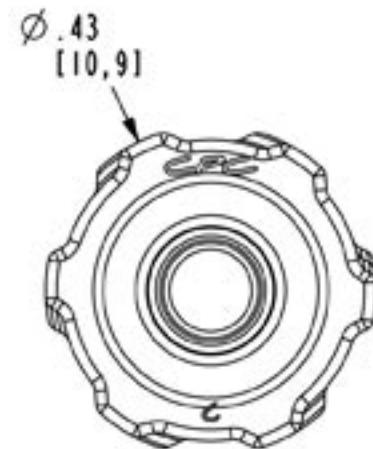
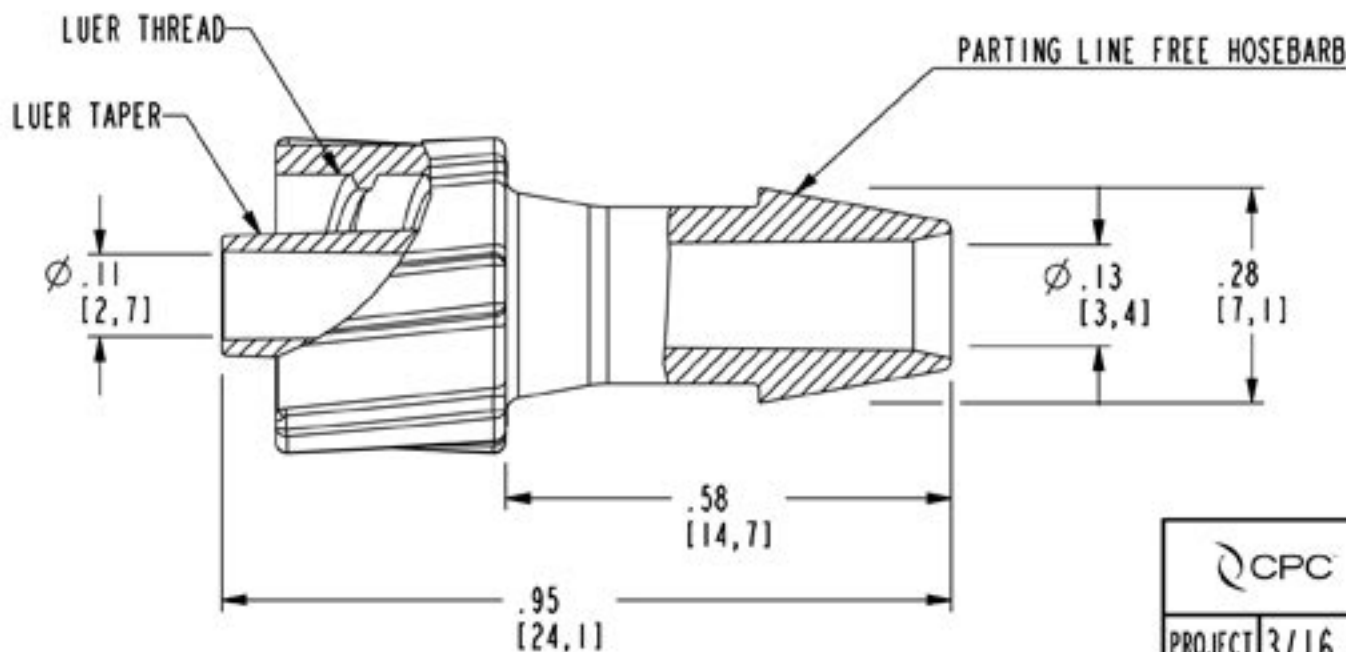


DWG NO: LM61-CUST

NOTES:

MATERIAL: POLYPROPYLENE  
FDA 21 CFR 177.1500  
RoHS COMPLIANT  
ANIMAL FREE  
USP CLASS VI  
COLOR: NATURAL



CPC 1 800 444 2474 cpcworldwide.com

PROJECT 3/16 HB MALE LUER INTEGRAL LOCK RING  
7362 (CUSTOMER DRAWING)

DWG BY: KRN DATE: 07/01/09 CHKD BY:

MATL/FIN: SEE NOTE  DWG NO: LM61-CUST